

1

2

3

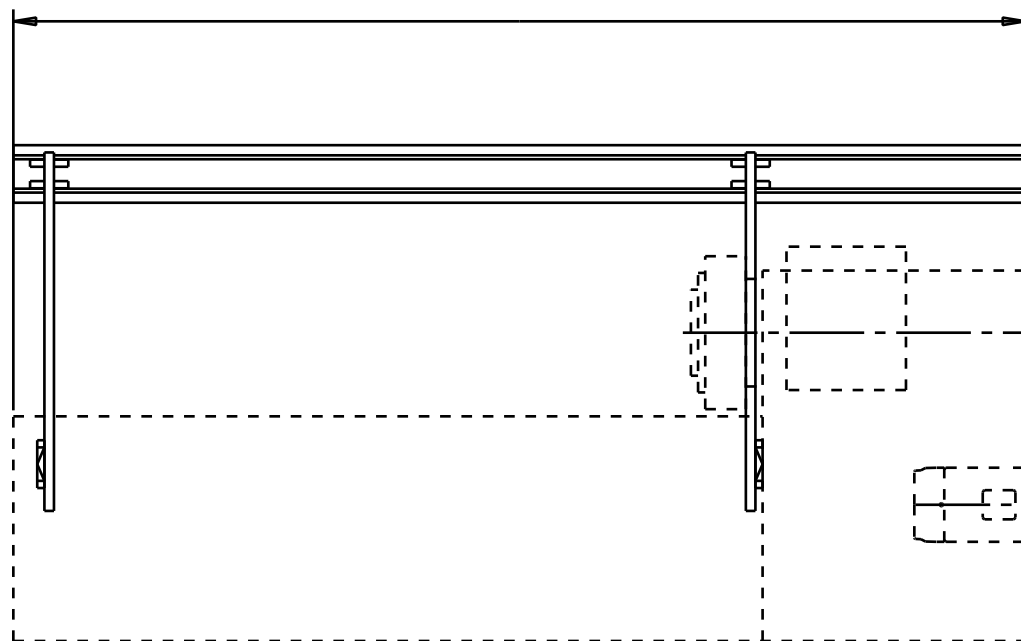
4

A

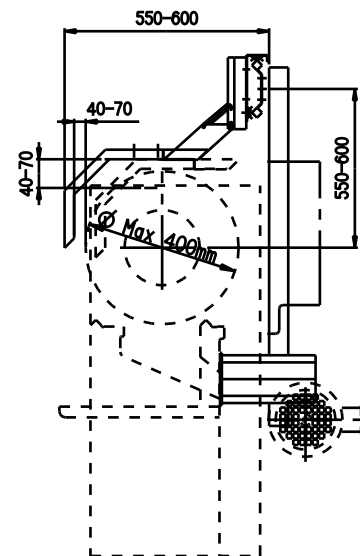
B

C

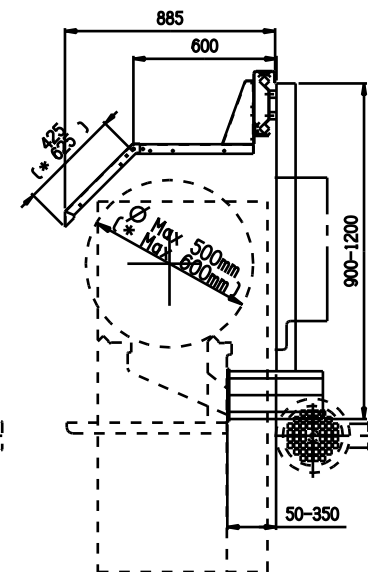
D



Pakansuoja
Chuck guard



Lastensuoja
Chip guard



* Jatkettu lasikehikko
Longer frontplate

Taydenna rivit
Pls. Fill out lines below (mm)

Sorvin kokonaispituus
Total length of the lathe _____

Työkappaleen max. halkaisija
Max. work piece \varnothing _____ (500/*600mm)

Suurimman pakan halkaisija
Max. chuck \varnothing _____ (400mm)

Pakansuojan leveys
Width of the chuck guard 200mm

Lastensuojan leveys
Width of the chuck guard 525mm

SLS-103-Y0 Mitoituskuva
Dimensioning drawing

This drawing remains
the property of FinnSafety. It
and is not to be copied without
our permission nor is it to be
shown or handed over to competitor
firms or any third party.

FinnSafety

ASIAKAS
KUND
CUSTOMER

REV
REV
REV
2015-1

KONE
MASKIN
MACHINE

PVM
DATUM
DATE



SIVU
SIDAN
PAGE
1/1

1

2

3

4

A

B

C

D