

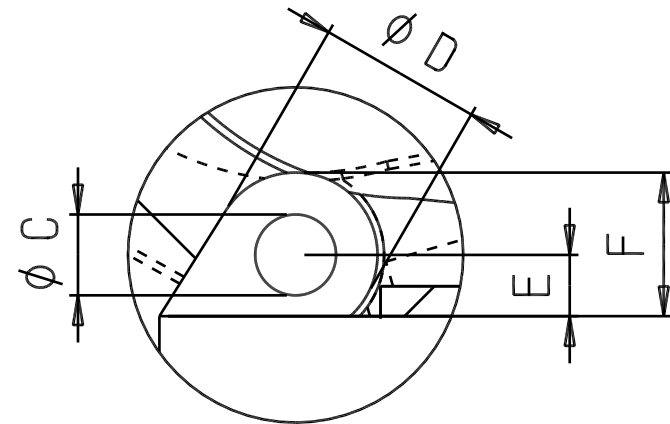
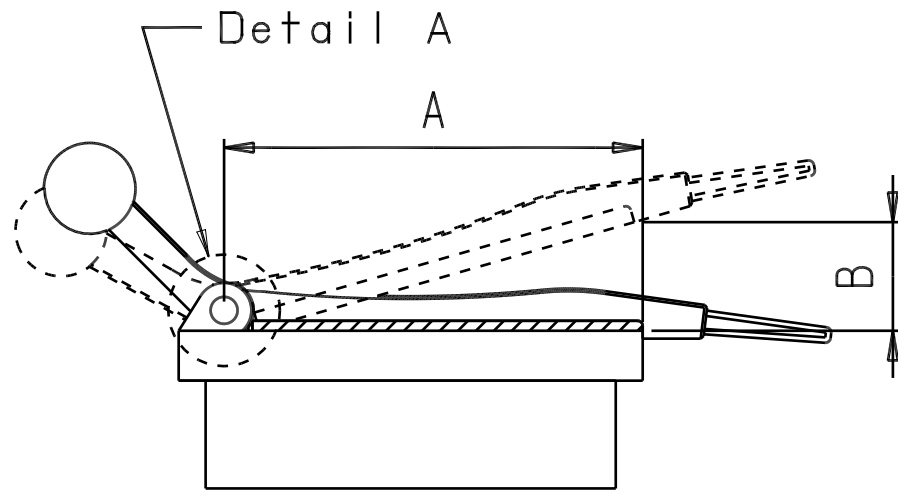
1

2

3

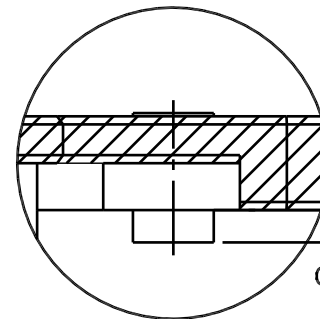
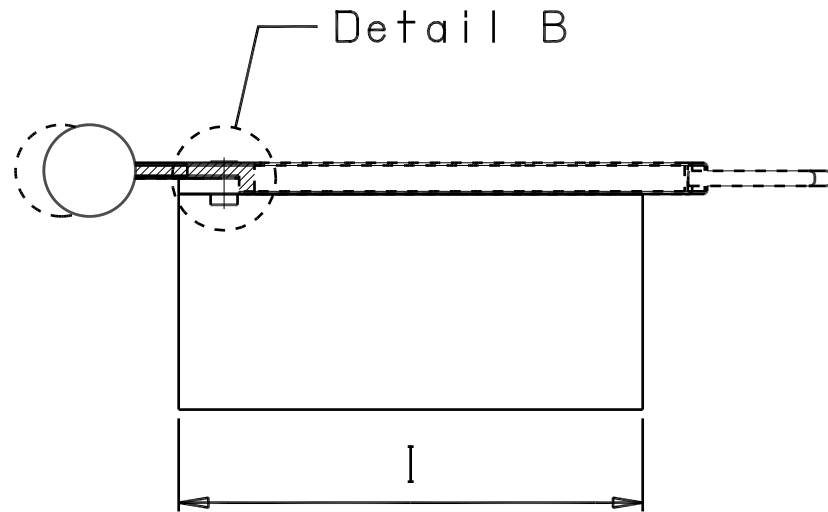
4

A

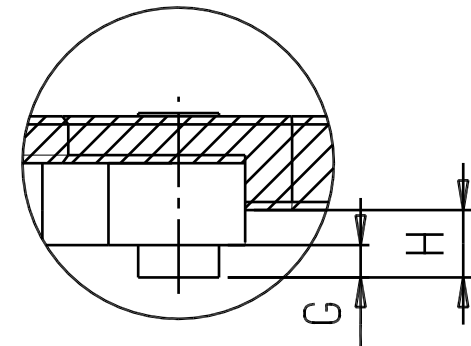


A
3:1

B



B
3:1



B
3:1

A

B

C

D

A= _____ D= \varnothing _____ G= _____
 B= _____ E= _____ H= _____
 C= \varnothing _____ F= _____ I= _____

LLS-307- Mittoituskuva Måttställningsritning Dimensioning drawing		This drawing remains the property of FinnSafety Oy and is not to be copied without our permission nor is it to be shown or handed over to competitive firms or any third party.	FinnSafety
ASIAKAS KUND CUSTOMER	REV REV REV		
KONE MASKIN MACHINE	PVM DATUM DATE	SIVU SIDAN PAGE 1/1	

1

2

3

4