

1

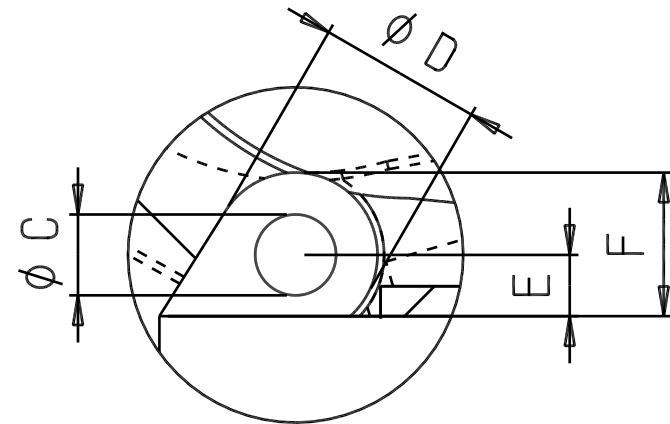
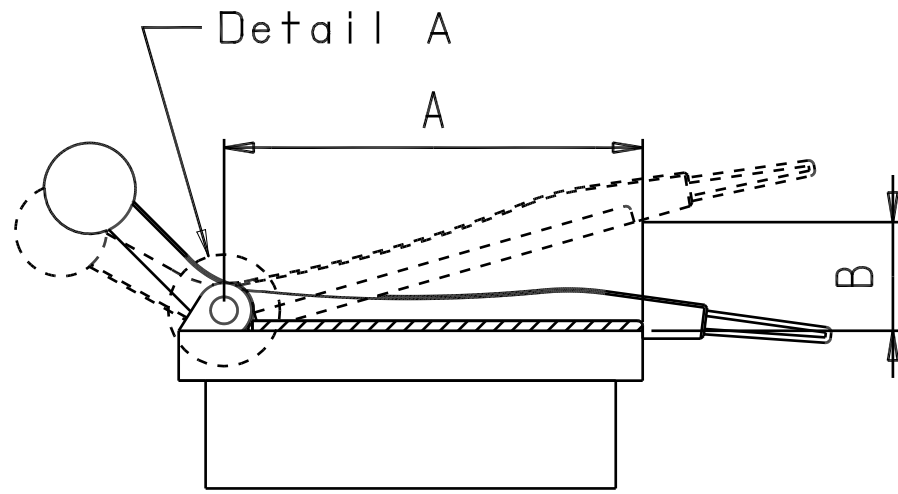
2

3

4

A

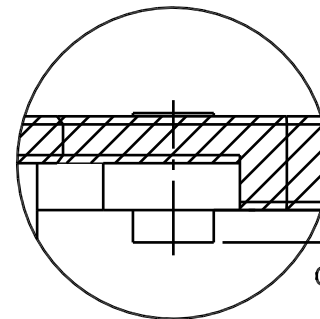
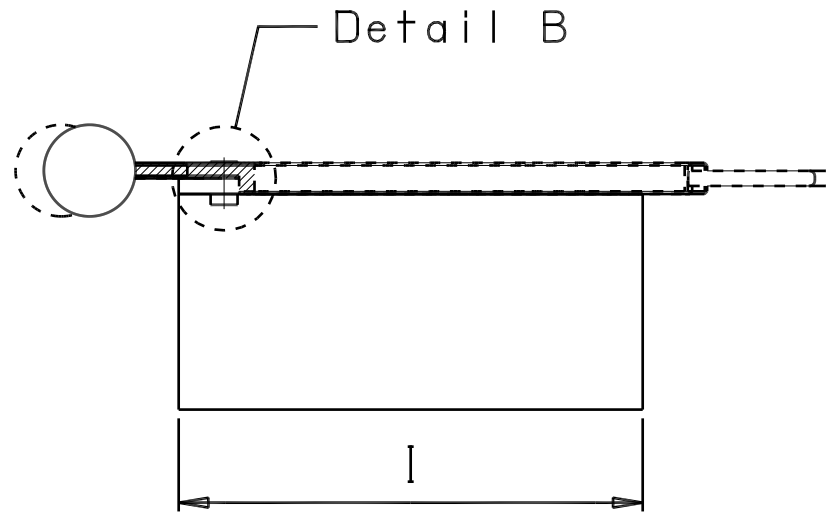
A



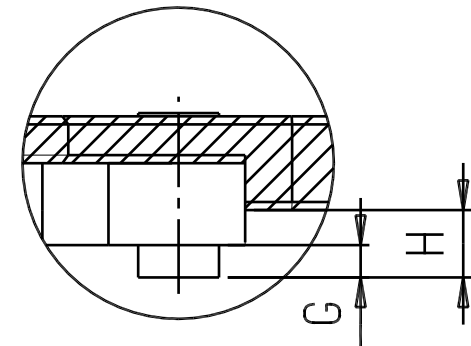
A
3:1

B

B



B
3:1



B
3:1

C

C

D

D

A= _____ D= \varnothing _____ G= _____
 B= _____ E= _____ H= _____
 C= \varnothing _____ F= _____ I= _____

LLS-307- Mittoituskuva
 Måttställningsritning
 Dimensioning drawing

This drawing remains the property of FinnSafety Oy and is not to be copied without our permission nor is it to be shown or handed over to competitive firms or any third party.

FinnSafety

ASIAKAS
 KLINT
 CUSTOMER

REV
 REV
 REV 2016-1

KONE
 MASKIN
 MACHINE

PVM
 DATUM
 DATE



SIVU
 SIDAN
 PAGE 1/1

1

2

3

4