

1

2

3

4

A

A

B

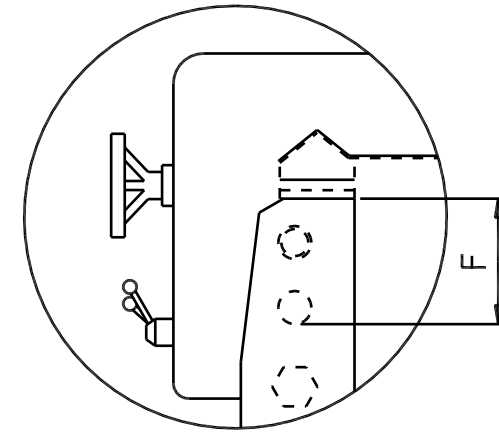
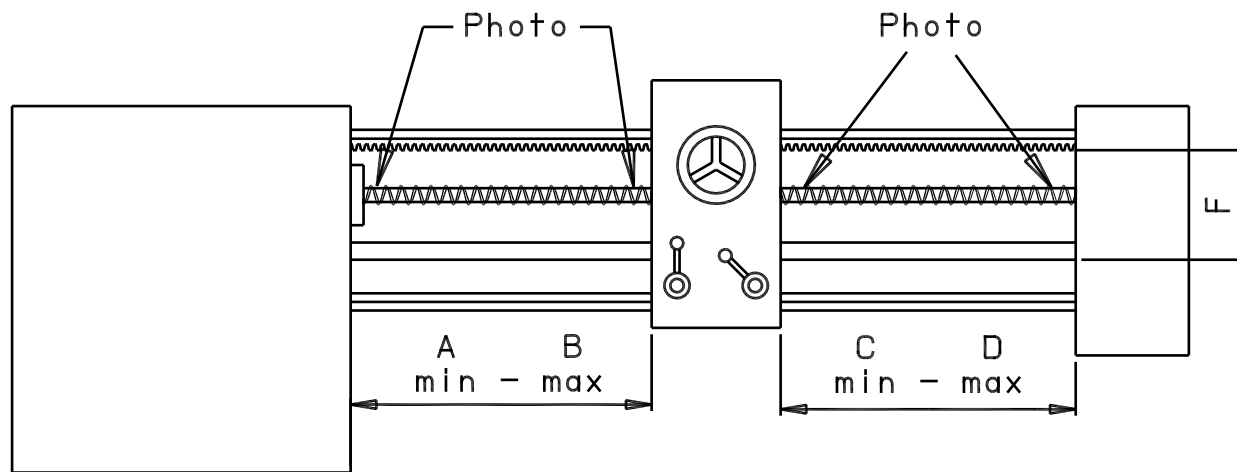
B

C

C

D

D



Täydennä rivit  
Ange nedanstående i mm  
Pls. Fill out lines below (mm)

A= \_\_\_\_\_ (≥125 mm, JRS-250-3500: 175 mm)

B= \_\_\_\_\_

C= \_\_\_\_\_ (≥125 mm, JRS-250-3500: 175 mm)

D= \_\_\_\_\_

F= \_\_\_\_\_ (<250 mm)

Verhosuojan leveys ja pituus  
Bredd och lengd av rullgardin  
Width and length of the roller cover

\_\_\_ 150x1800 mm

\_\_\_ 200x1800 mm

\_\_\_ 250x3500 mm

JRS- Mittoituskuva  
Mättsättningsritning  
Dimensioning drawing

This drawing remains  
the property of FinnSafety Oy  
and is not to be copied without  
our permission nor is it to be  
shown or handed over to competitive  
firms or any third party.

FinnSafety

ASIAKAS  
KUND  
CUSTOMER

REV  
REV  
REV  
2016-1

KONE  
MASKIN  
MACHINE

PVM  
DATUM  
DATE



SIVU  
SIOAN  
PAGE  
1/1

1

2

3

4